



HIGH-TECH ELECTRONIC SOLUTIONS LTD

CHILD SECURITY MANAGER (CSM)

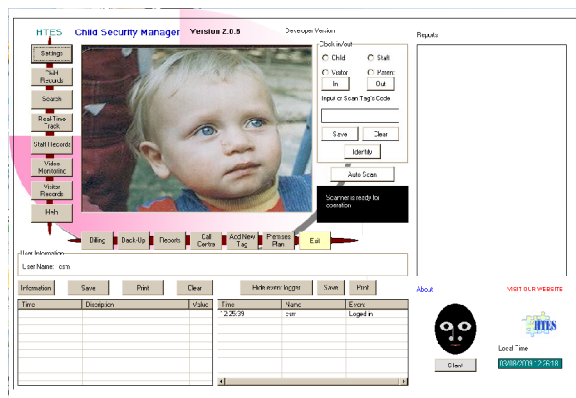
State-of-the-art software designed especially for childcare facilities (playgrounds, nurseries, schools and hospitals) offering a unique capability that will:

- Simplified business management
- Give parents a piece of mind
- Help staff in monitoring our loved ones
- Keep up-to-date childrens and staff information
- Real-time Logging the attendance of childrens, parents staff and visitors
- Keeping an eye on each child,ensuring that no child will be allowed to leave with any person who cannot be identified
- Generates reports on activities

The Child Security Manager (CSM) is adding value to your business, increase revenue, improves relation with customers and handles all of your administration tasks so that you can focus on growing your business while providing quality service to your customers.

Main Features

The Child Security Manager is the ultimate marketing tool. The main features of this software will allow you to record accurate information on all your customers, staff, visitors and revenue. But more importantly it will provide your business with strategic marketing and security functions that effectively result in rapid



User- friendly software

growth of your customer base and improve customer satisfaction.

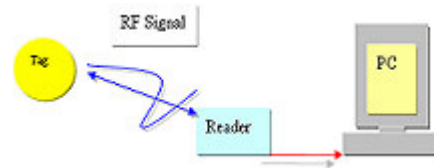
Main functions include:

- Automatic and manual clock-in and out
- Childrens and parents records creation
- Staff details and attendance
- Billing calculation and invoices creation and printing
- Different charging rates can be used
- Revenue records and reports
- Loyalty points system for returning customers
- Multi-level passwords for secure operation
- Reservations

Special Feature Option

- Support for regular customers identification, using caller ID facilities
- Digital video recording with remote monitoring allowing parents to watch their children from home or office
- SMS/Email messaging
- Linked to access control system for alarming in child wandering
- Premises layout viewing

Technology



Basic RFID system

The CSM system is based upon Radio Frequency Identification (RFID) technology, children are electronically tagged, by placing a tag on the child's wrist or attached to clothes. The basic system configuration includes: child,

parent and staff tags, tag reader, laptop or PC and a software package.

How it works

The system comes into operation when children are dropped off at childcare premises. The parents will be issued with a passive tag that needed to be presented on child collection. Child and parent details including photographs will be automatically linked to the designated tag once it scanned by the tag reader.

For more information and free (no obligation) demonstration contact:

High-tech electronic solutions Ltd

610 Dumbarton Road, Partick, Glasgow, G11 6RJ, Lanarkshire, UK

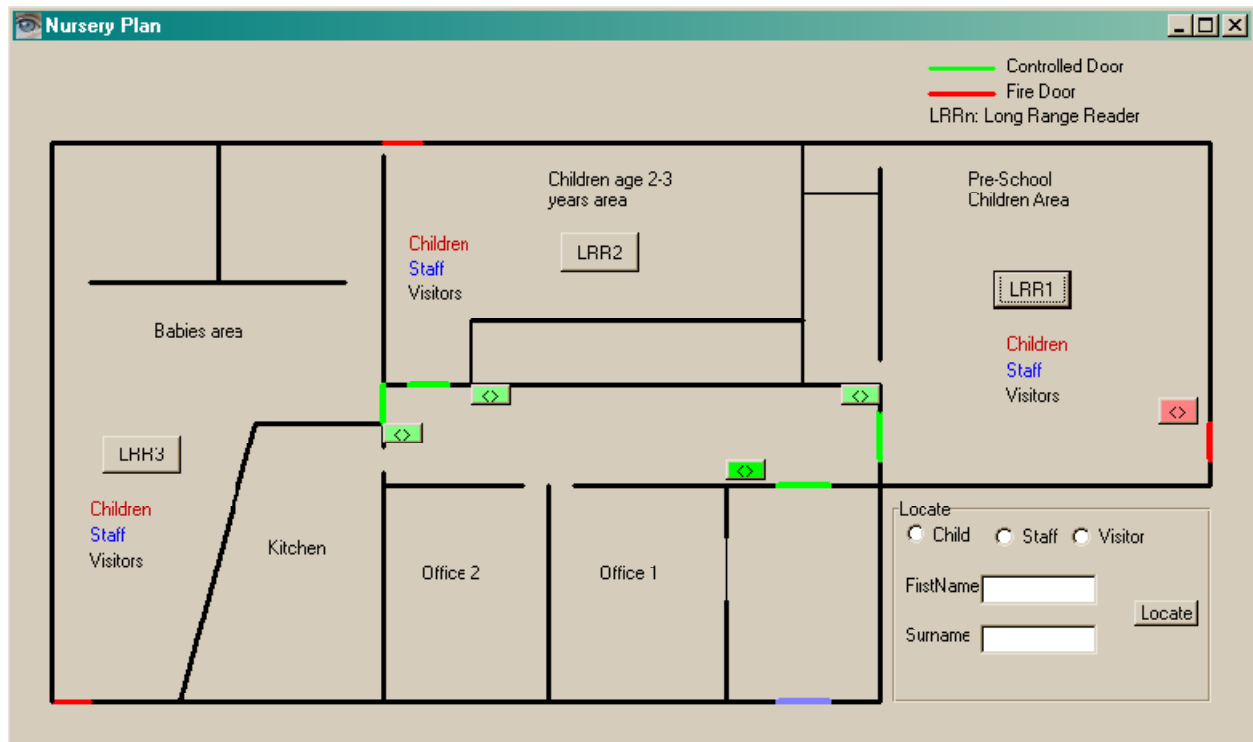
Tel: +44(0)1413392333

Or visit our website at: <http://www.htes.co.uk>

High-tech electronic solutions ltd offer the complete package. Our staff are there to help with all setup and training procedures including:

- Hardware setup
- Software installation
- Training for staff
- After sale support

Certification provided to key staff who attend training session. The Child Security Manager offers all of these in one easy to use package.



Nursery layout plan